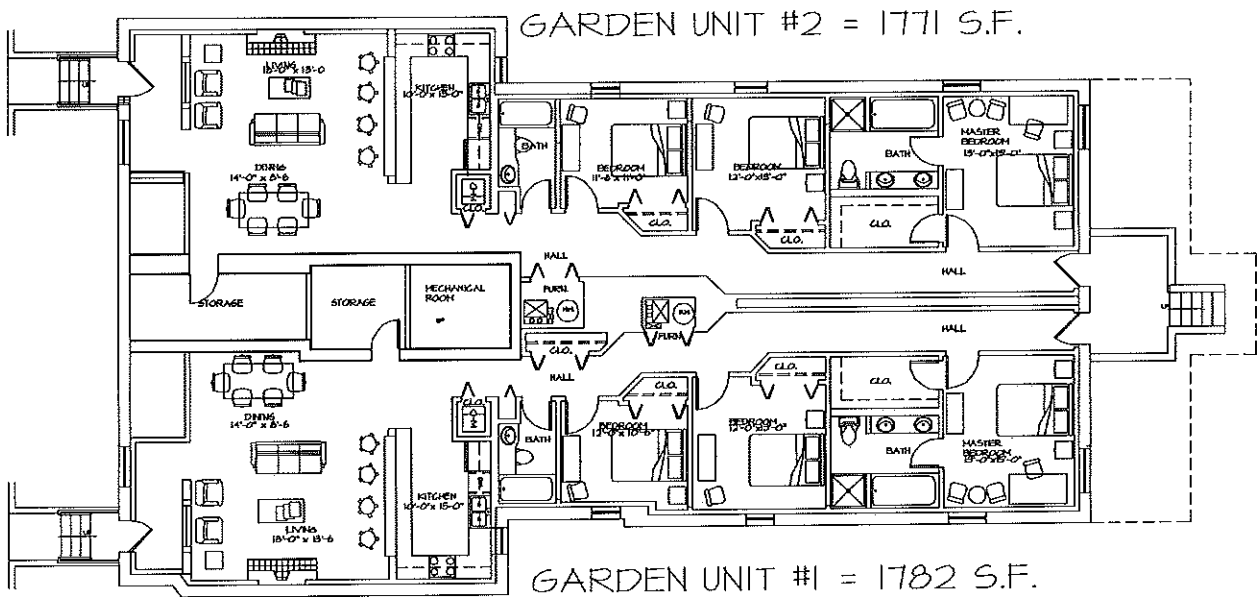


SOUTH MICHIGAN AVENUE

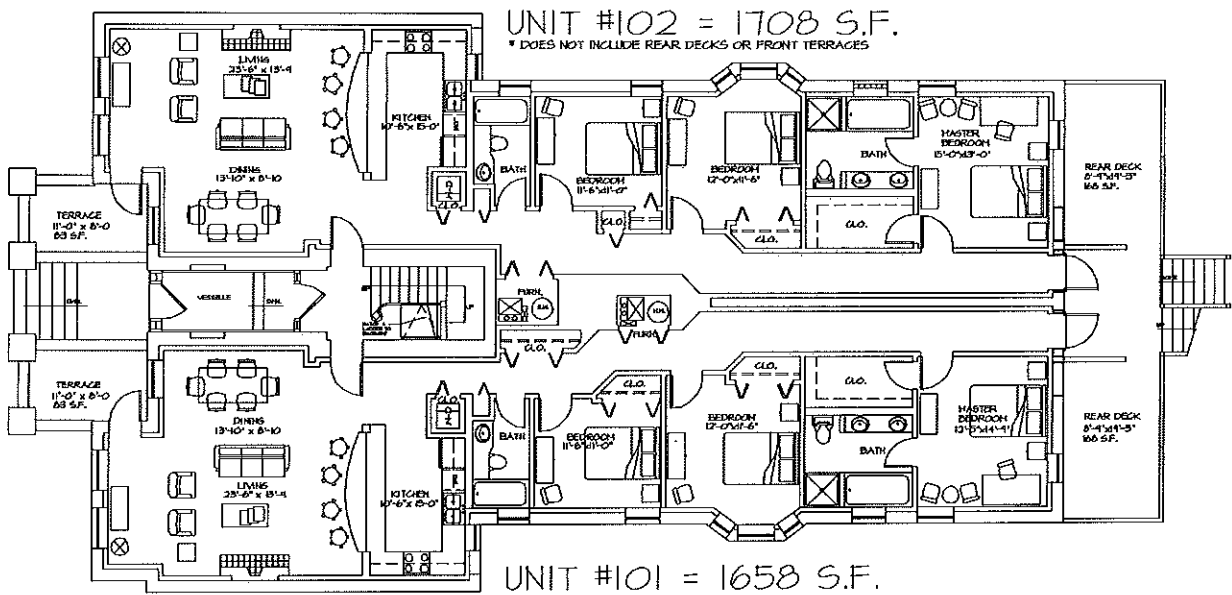


GARDEN FLOOR PLAN
SCALE: 1/8" = 1'-0"

ONYX
Architectural
Services, Inc.
759 N. FRANKLIN
CHICAGO, IL 60610
Tel: (312) 787-2748
Fax: (312) 787-2857
e-mail: onyx@onyxarch.net

CARROLL PARC CONDOMINIUM 5316-18 S. MICHIGAN AVENUE CHICAGO IL 60615-4620			
DRAWN BY	CHECKED BY	DATE	OF
MLR	DA	PROJECT NO.	F-0

SOUTH MICHIGAN AVENUE



UNIT #102 = 1708 S.F.
* DOES NOT INCLUDE REAR DECKS OR FRONT TERRACES

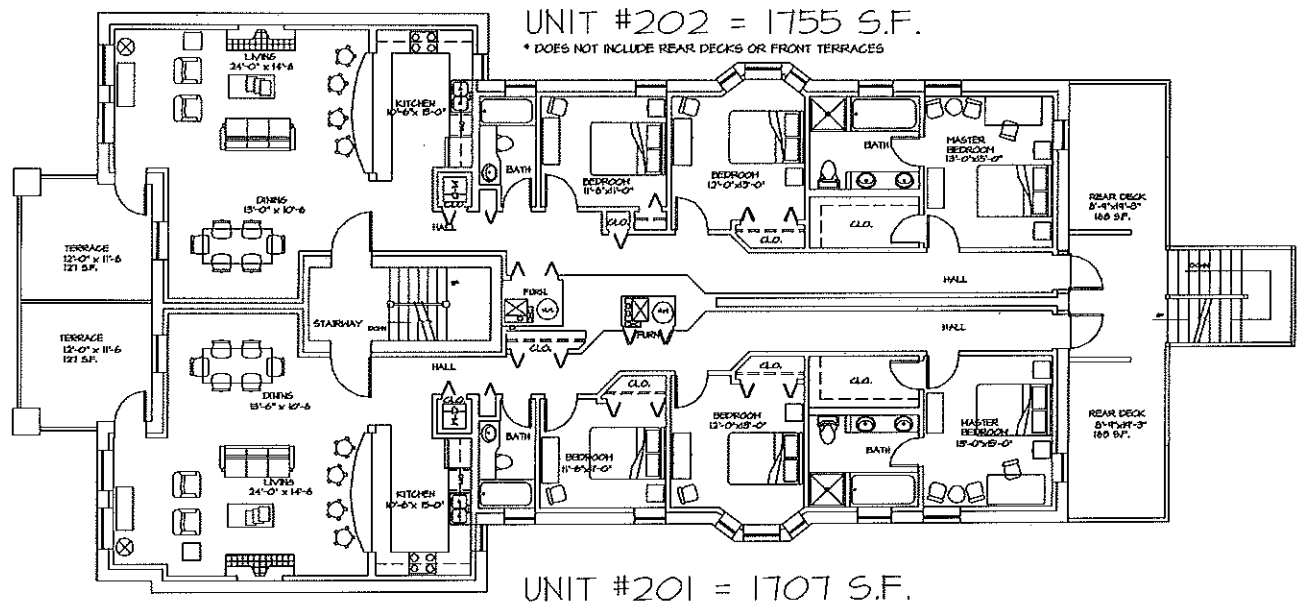
UNIT #101 = 1658 S.F.
* DOES NOT INCLUDE REAR DECKS OR FRONT TERRACES

FIRST FLOOR PLAN
SCALE: 1/8" = 1'-0"

ONYX
Architectural
Services, Inc.
750 N. FRANKLIN
CHICAGO, IL 60610
Tel: (312) 787-2248
Fax: (312) 787-2857
e-mail: onyx@onyxarch.net

CARROLL PARC CONDOMINIUM 5316-18 S. MICHIGAN AVENUE CHICAGO IL 60615-4620			
DRAWN BY	CHECKED BY	DATE	OF
MLR	DA		F-1
PROJECT NO.			

SOUTH MICHIGAN AVENUE

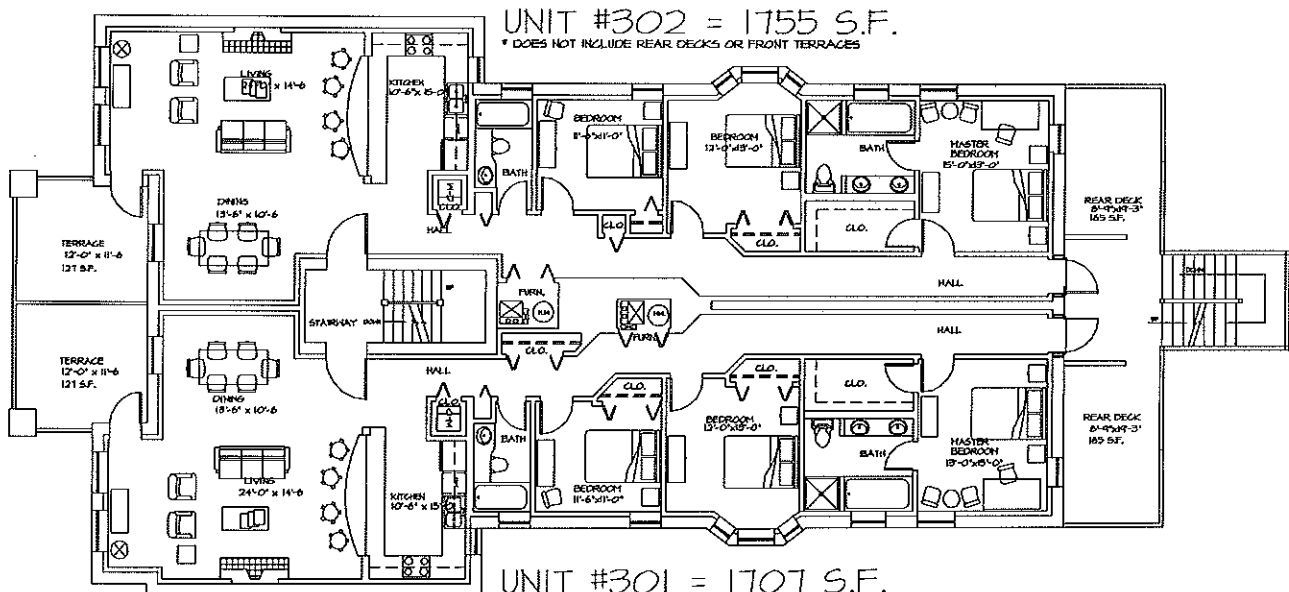


2ND FLOOR PLAN
 SCALE: 1/8" = 1'-0"

ONYX
 Architectural
 Services, Inc.
 750 N. FRANKLIN
 CHICAGO, IL 60610
 Tel. (312) 787-2748
 Fax (312) 787-2857
 e-mail: onyx@onyxarch.net

CARROLL PARC CONDOMINIUM			
5316-18 S. MICHIGAN AVENUE			
CHICAGO IL 60615-4620			
DRAWN BY	CHECKED BY	DATE	OF
MLR	DA		
PROJECT NO.			F-2

SOUTH MICHIGAN AVENUE



UNIT #302 = 1755 S.F.
 * DOES NOT INCLUDE REAR DECKS OR FRONT TERRACES

UNIT #301 = 1707 S.F.
 * DOES NOT INCLUDE REAR DECKS OR FRONT TERRACES

3RD FLOOR PLAN
 SCALE: 1/8" = 1'-0"

ONYX
 Architectural
 Services, Inc.
 150 N. FRANKLIN
 CHICAGO, IL 60610
 Tel. (312) 787-2748
 Fax (312) 787-2837
 e-mail: onyx@onyxsarch.net

CARROLL PARC CONDOMINIUM			
5316-18 S. MICHIGAN AVENUE			
CHICAGO IL 60615-4620			
DRAWN BY	CHECKED BY	DATE	OF
HLR	DA		
PROJECT NO.			F-3